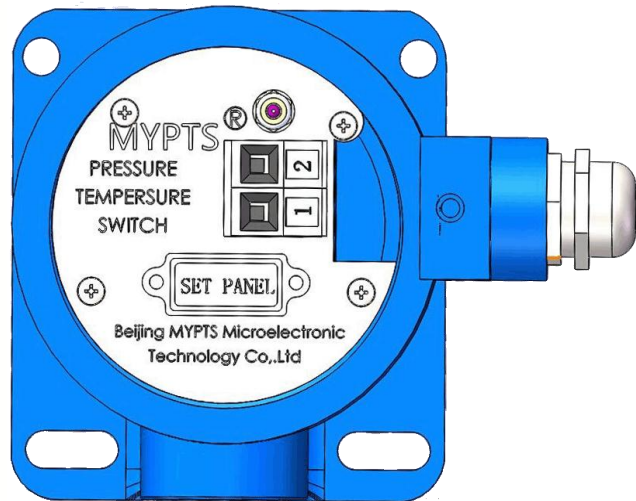


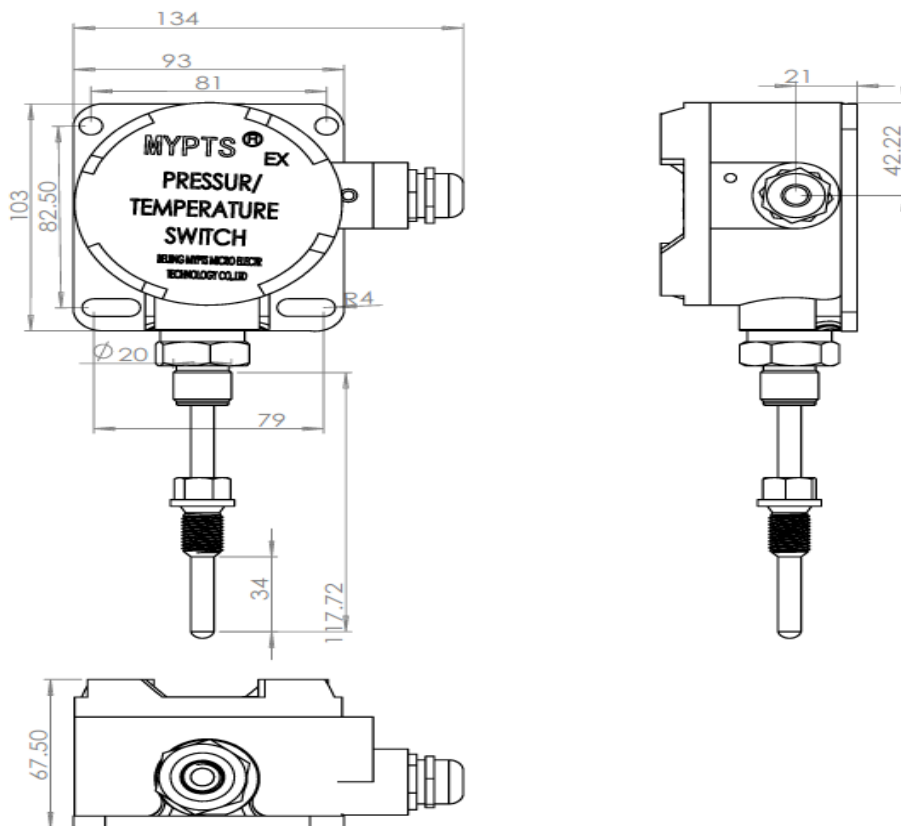
**Explosion-proof microelectronic Temperature switch**



**Product**



**Control Panel**



## Specifications and models

METS-	General microelectronic temperature switch				
	Code	Setting range			
	A	-50~150 °C			
	B	-100~400 °C			
	C	0~1200 °C			
	O	Customer request			
		Code	Accuracy		
		N	0.5 level (0.2FS)		
		X	0.2 level (0.1FS)		
			Code	Shell material	
			N	Aluminium alloy	
				Code	Element standard & size
				N	Φ 4mm Length 100~1000mm measuring element
				X	Customer request
				Code	Electrical connection
				N	Terminal, M20x1.5 standard waterproof cable connector
				X	Customer request
					Code
					EP
					Safe Location
					Explosion-proof type

**Note:**

- \*\* Beyond the standard setting range, select code "O" to specify the specific range.
- \*\* Measuring element size: the thread size of joint between measuring element and protective Case must be provided before ordering the switch. If Code X is chosen, a different diameter and length can be specified for the measuring element
- \*\* When Code X is opted for Electrical Connection, there is no requirement for the incoming cable joints, but the terminal wiring specifications cannot be altered.
- \*\* Suitable for use in non-corrosive environment to measuring element and Aluminium alloy shell