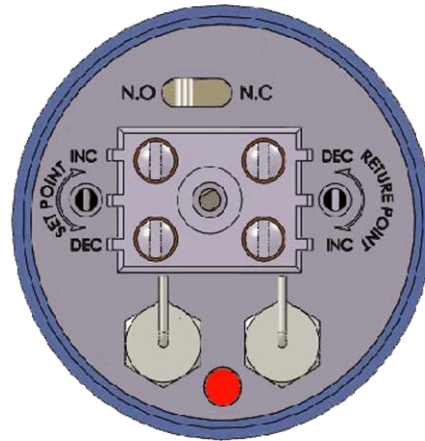
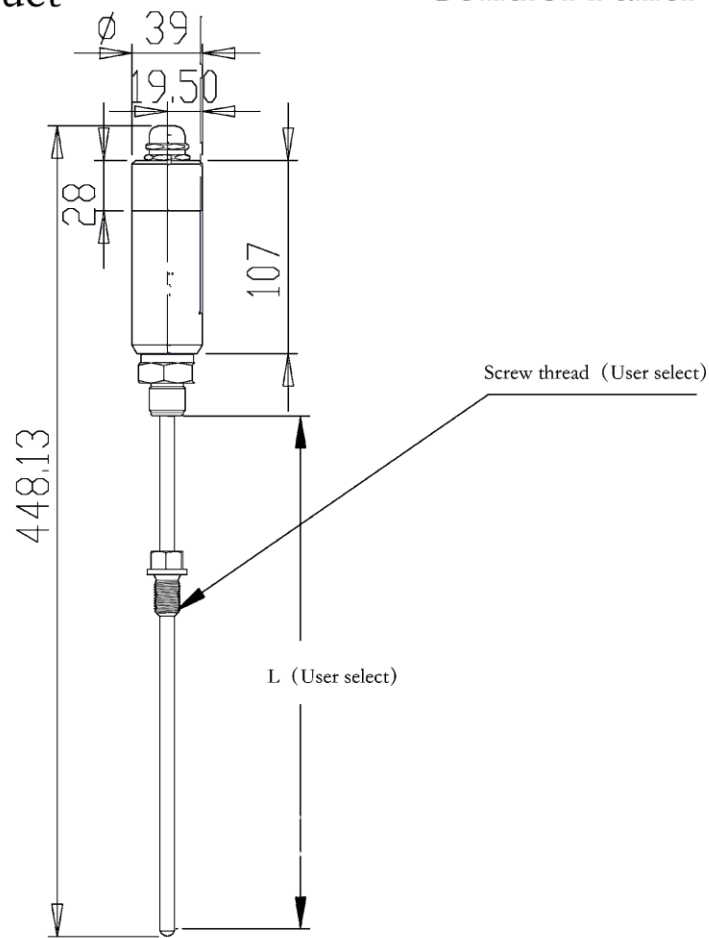


Specialty microelectronic temperature switch



Product

Control Panel



Size

Specifications and models

MESTS-	Specialty microelectronic temperature switch				
	Code	Setting range			
	A	-50~150°C			
	B	-100~400°C			
	C	0~1200°C			
	O	Special setting range			
		Code	Accuracy grade		
		N	0.5 level (0.2FS)		
		X	0.2 level (0.1FS)		
			Code	Shell material	
			N	316L stainless steel	
			X	Customer request	
			Code	Element standard & size	
			N	Φ4mm, length 100~1000mm, Pt100 Ω Platinum thermal resistance	
			X	Customer request	
				Code	Electrical connection
				N	Preset flame retardant heat-resistant wire (length: 500mm)
				X	Customer request
				Code	Safe location
				N	Intrinsically safe

Note:

- * * Beyond the standard setting range, select the "O" code to specify the special range.
- * * Thermometric element size: the thread size of joint between thermometric element and protect suites must be provided before ordering the switch. If Code X is chosen, a different diameter and length can be specified for the standard Pt100Ω platinum thermal resistance.
- * * Suitable for the workplace have no corrosive to 316L stainless steel pipe materials and aluminum alloy shell.