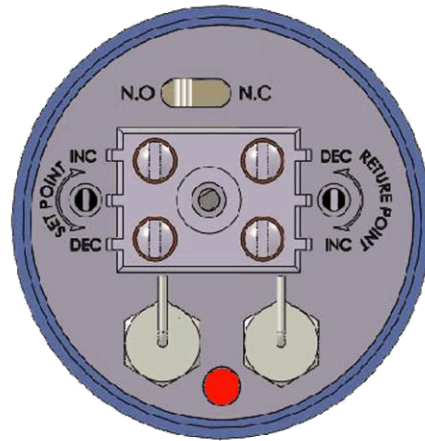


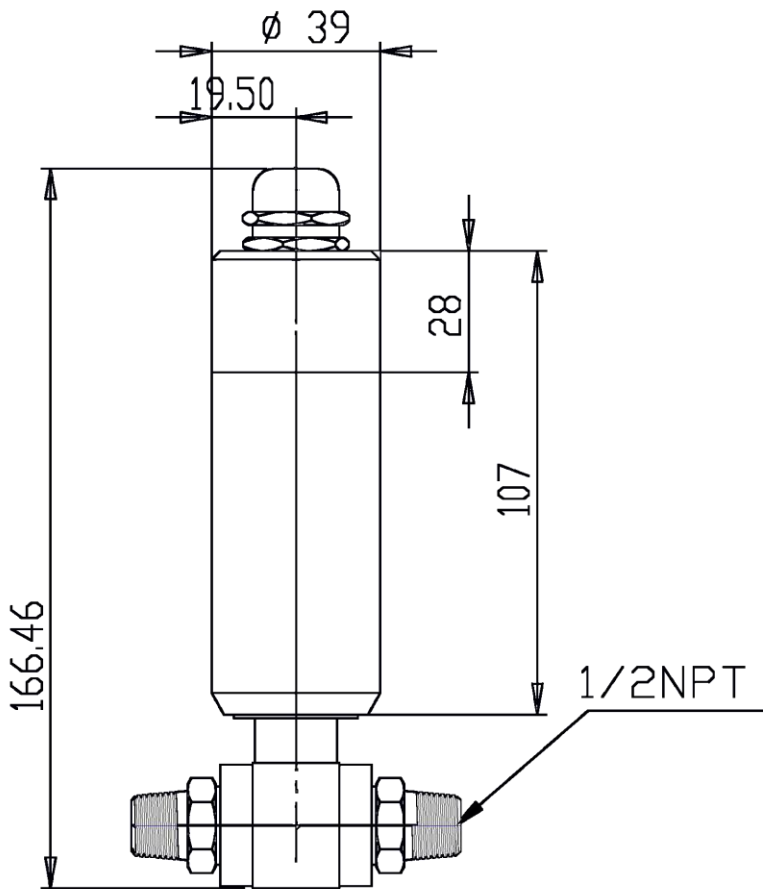
**Specialty microelectronic differential pressure switch**



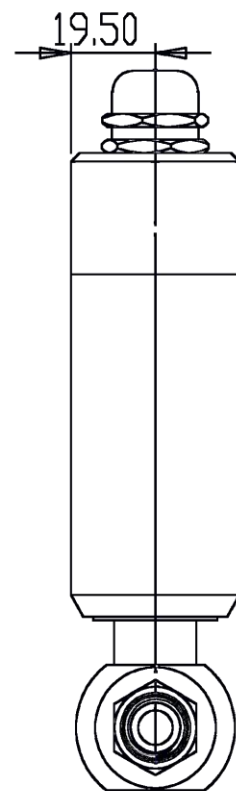
Product



Control Panel



Size



## Specifications and models

MESDPS-	Specialty microelectronic differential pressure switch						
	Code	Setting range					
	A	0~10 kPa					
	B	0~35 kPa					
	C	0~100 kPa					
	D	0~0.6 MPa					
	E	0~2 MPa					
	F	0~3.5 MPa					
	O	Special setting range					
		Code	Structure material				
			Sensor	Joint	Shell		
		N	316L SS	316L SS	Alufer		
		X	According to the customer requirements				
			Code	Process connection			
				N	Level process joint, 1/2 NTP external screw thread		
			X	Customer request			
			Code	Electrical connection			
				N	Terminal, M20x1.5 standard waterproof cable		
			X	Customer request			
				Code	Safe location		
		N		Intrinsically safe			

**Note:**

- \*\* Beyond the standard setting range, select the "O" code to specify the special range.
- \*\* Maximum system static pressure allowed: normal for 20 Mpa; High for 42 Mpa.
- \*\* It is recommended that the minimum Set Value is NOT less than 2% of the measuring range.
- \*\* Maximum differential pressure allowed: 2.5 times of the measuring range.
- \*\* Suitable for the workplace have no corrosive to 316L stainless steel pipe materials and aluminum alloy shell.
- \*\* If Code X is chosen for Structure Materials, the shell materials can ALSO be customized.
- \*\* If code X is selected for Process Connection, the connector can ONLY be customized based on 1/2 NPT.