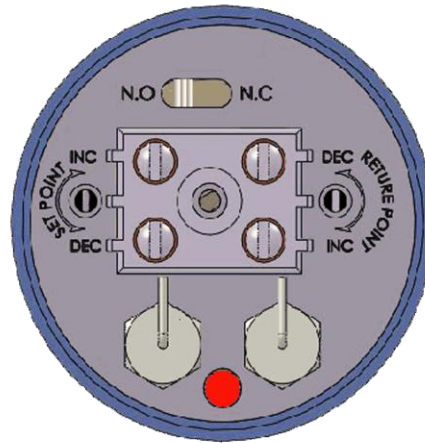


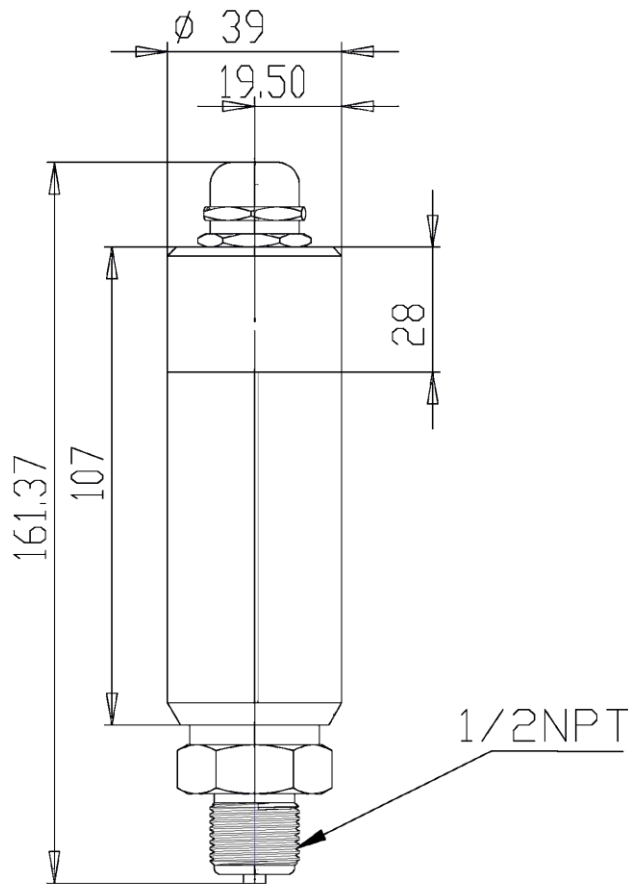
Specialty microelectronic pressure switch



Product



Control Panel



Size

Specifications and models

MESPS-	Specialty microelectronic pressure switch			
	Code	Setting range		
	A	-10~10 KPa		
	B	-100~0 KPa		
	C	0~35 KPa		
	D	0~100 KPa		
	E	0~1.6 MPa		
	F	0~6 MPa		
	G	0~10 MPa		
	H	0~25 MPa		
	I	0~40 MPa		
	J	0~100 MPa		
	O	Special setting range		
	Code	Structure material		
		Sensor	Joint	Shell
	N	316L SS	316L SS	316 SS
	X	According to the customer requirements		
		Code	Process connection	
		N	1/2NTP E	
		X	Customer request	
			Code	Electrical connection
	N		Preset flame retardant heat-resistant wire (length: 500mm)	
	X		Customer request	
			Code	Safe location
			N	Intrinsically safe

Note:

- ** Beyond the standard setting range, select the "O" code to specify the special range.
- ** Overpressure limit: 2.5 times the measuring range (< 3.5 MPa); 1.5 times the measuring range (> 3.5 MPa)
- ** It is recommended that the minimum Set Value is NOT less than 2% of the measuring range.
- ** Suitable for measuring such pressures as gauge pressure, negative pressure, absolute pressure, vacuum degree, and atmospheric
- ** If Code X is chosen for Structure Materials, the shell materials can ALSO be customized.
- ** If code X is selected for Process Connection, the connector can ONLY be customized based on 1/2 NPT.