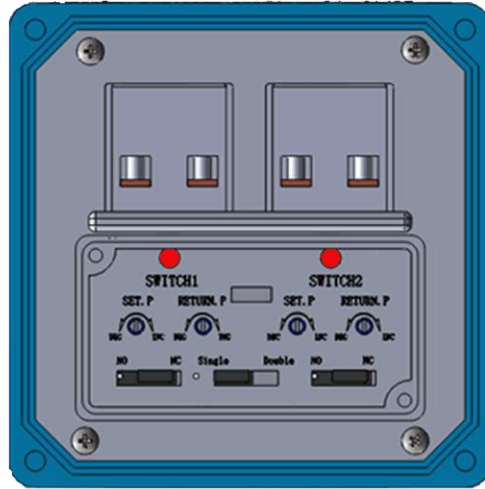
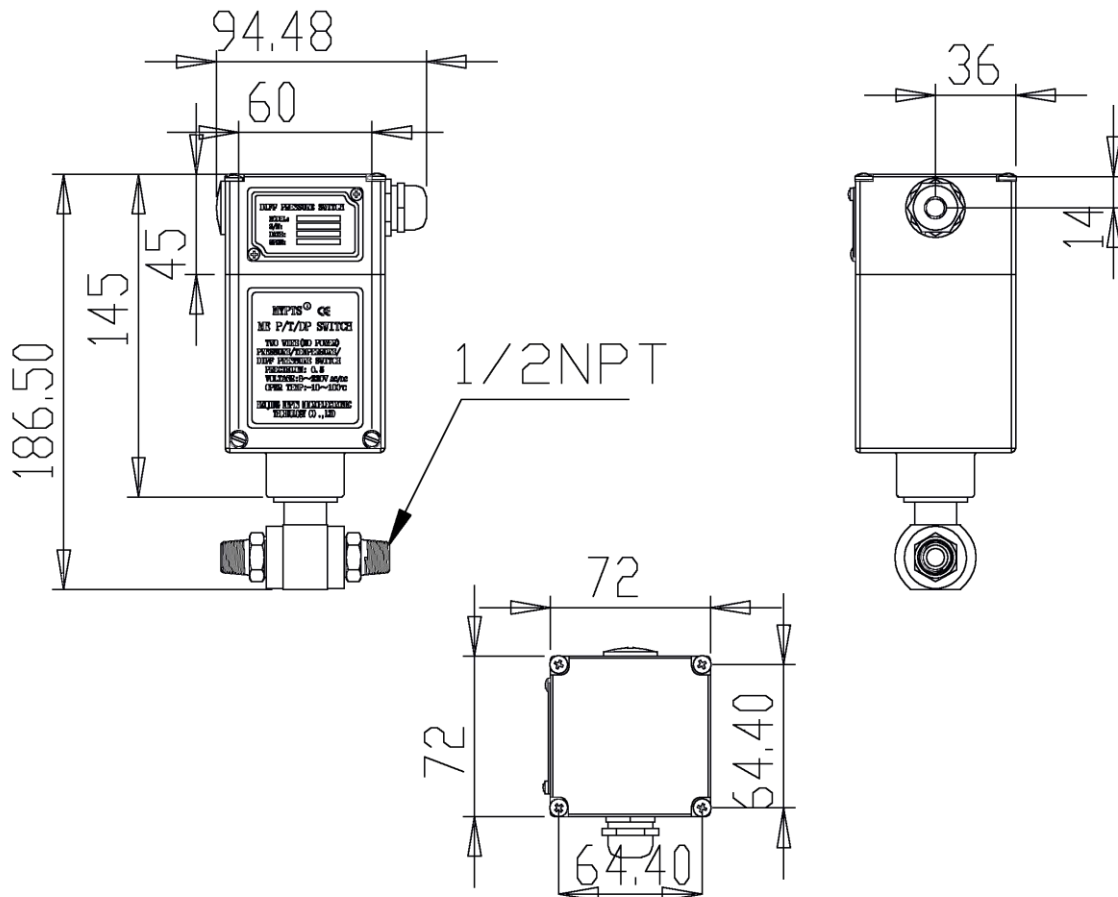


Dual adjustable microelectronic differential pressure switch



Product

Control Panel



Size

Specifications and models

| MEMPS- | Dual adjustable microelectronic differential pressure switch | | | | | | |
|--------|--|-----------------------|--|--|---------------------------------------|--|--|
| | Code | Setting range | | | | | |
| | A | 0~10 KPa | | | | | |
| | B | 0~35 KPa | | | | | |
| | C | 0~100 KPa | | | | | |
| | D | 0~0.6 MPa | | | | | |
| | E | 0~2 MPa | | | | | |
| | F | 0~3.5 MPa | | | | | |
| | O | Special setting range | | | | | |
| | | Code | Structure material | | | | |
| | | | Sensor | Joint | Shell | | |
| | | N | 316L SS | 316L SS | Alufer | | |
| | | X | According to the customer requirements(Except shell) | | | | |
| | | | Code | Process connection | | | |
| | | | N | Level process joint, 1/2 NTP external screw thread | | | |
| | | | X | Customer request | | | |
| | | | | Code | Electrical connection | | |
| | | | | N | Terminal, M20x1.5 standard waterproof | | |
| X | | | | Customer request | | | |
| | Code | | | Safe location | | | |
| | N | | Intrinsically safe type | | | | |

Note:

- ** Beyond the standard setting range, select the "O" code to specify the special range.
- ** Maximum system static pressure allowed: normal for 20 Mpa; High for 42 Mpa.
- ** It is recommended that the minimum Set Value is NOT less than 2% of the measuring range.
- ** Maximum differential pressure allowed: 2.5 times of the measuring range.
- ** Suitable for the workplace have no corrosive to 316L stainless steel pipe materials and aluminum alloy shell.
- ** If code X is selected for Process Connection, the connector can ONLY be customized based on 1/2 NPT.
- ** When Code X is opted for Electrical Connection, there is no requirement for the incoming cable joints, but terminal wiring specifications cannot be altered.