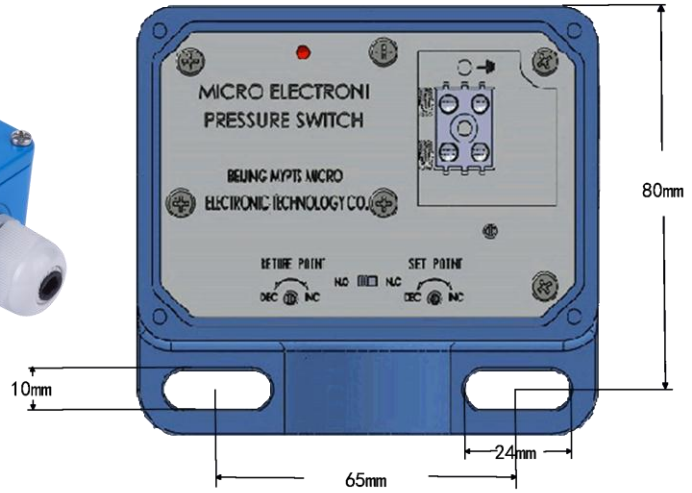
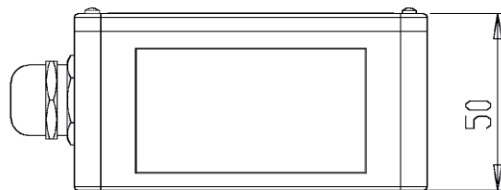
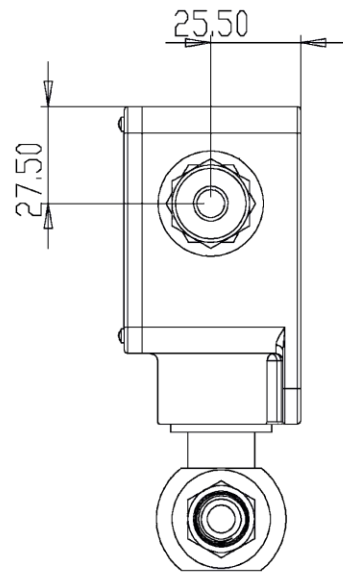
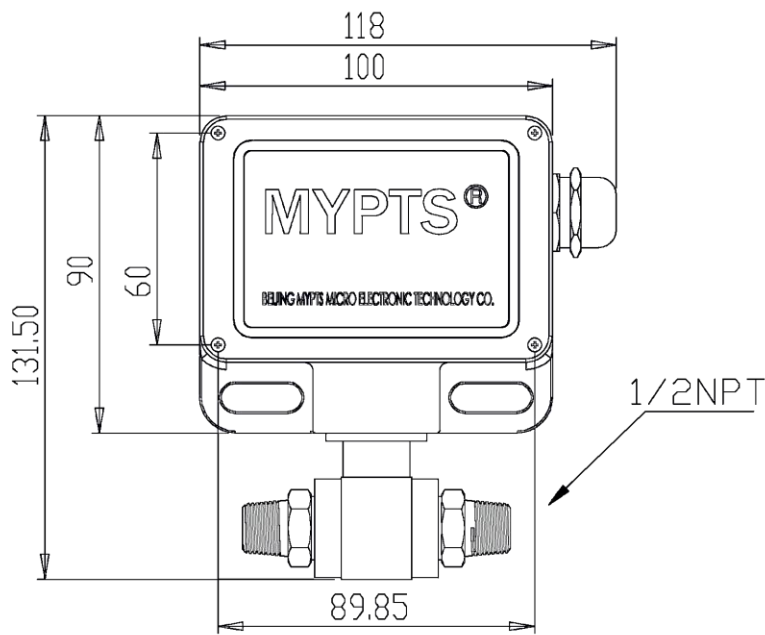


General microelectronic differential pressure switch



Product

Control Panel



Size

Specifications and models

MEDPS-	General microelectronic differential pressure switch				
	Code	Setting range			
	A	0~10 kPa			
	B	0~35 kPa			
	C	0~100 kPa			
	D	0~0.6 MPa			
	E	0~2 MPa			
	F	0~3.5 MPa			
	O	Special setting range			
		Code	Structure material		
			Sensor	Joint	Shell
		N	316L SS	316L SS	Alufer
		X	According to the customer requirements(Except shell)		
			Code	Process connection	
				N	Level process joint, 1/2 NTP external screw thread
			X	Customer request	
			Code	Electrical connection	
				N	Terminal, M20x1.5 standard waterproof cable
			X	Customer request	
				Code	Safe location
		N		Intrinsically safe	
		EP		Explosion Proof	

Note:

- ** Beyond the standard setting range, select the "O" code to specify the special range.
- ** Maximum system static pressure allowed: normal for 20 Mpa; High for 42 Mpa.
- ** It is recommended that the minimum Set Value is NOT less than 2% of the measuring range.
- ** Maximum differential pressure allowed: 2.5 times of the measuring range.
- ** If code X is selected for Process Connection, the connector can ONLY be customized based on 1/2 NPT.
- ** Suitable for the workplace have no corrosive to 316L stainless steel pipe materials and aluminum alloy shell.
- ** When Code X is opted for Electrical Connection, there is no requirement for the incoming cable joints, but terminal wiring specifications cannot be altered.