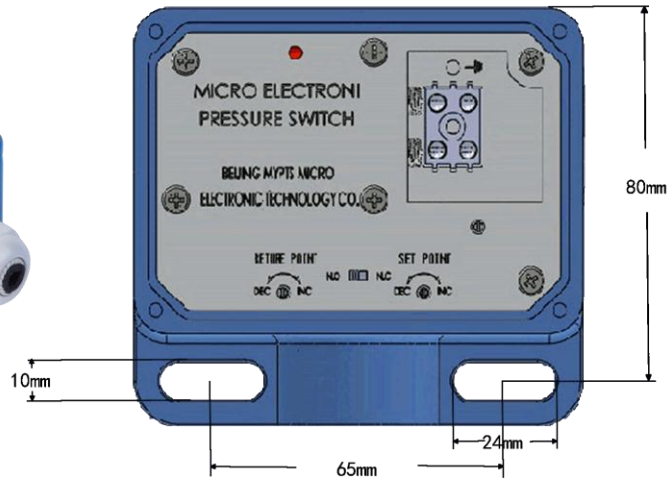
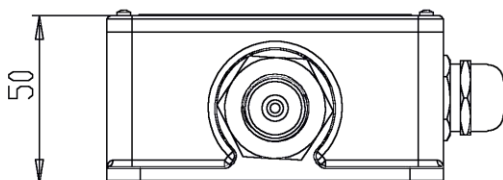
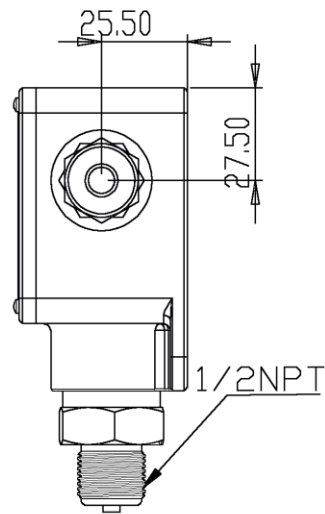
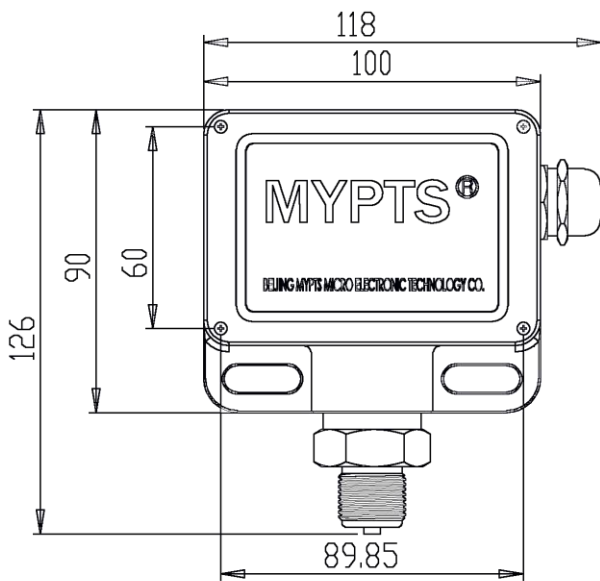


General microelectronic pressure switch



Product

Control Panel



Size

Specifications and models

MEPS-	General microelectronic pressure switch					
	Code	Setting range				
	A	-10~10 KPa				
	B	-100~0 KPa				
	C	0~35 KPa				
	D	0~100 KPa				
	E	0~1.6 MPa				
	F	0~6 MPa				
	G	0~10 MPa				
	H	0~25 MPa				
	I	0~40 MPa				
	J	0~100 MPa				
	O	Special setting range				
		Code	Structure material			
			Sensor	Joint	Shell	
		N	316L SS	316L SS	Alufer	
		X	According to the customer requirements(Except shell)			
			Code	Process connection		
			N	1/2NTP external screw thread		
			X	Customer request		
				Code	Electrical connection	
				N	Terminal, M20x1.5 standard waterproof cable connector	
				X	Customer request	
					Code	Safe location
					N	Intrinsically safe
					EP	Explosion Proof

Note:

- ** Beyond the standard setting range, select the "O" code to specify the special range.
- ** Overpressure limit: 2.5 times the measuring range (< 3.5 MPa); 1.5 times the measuring range (> 3.5 MPa)
- ** It is recommended that the minimum Set Value is NOT less than 2% of the measuring range.
- ** Suitable for measuring such pressures as gauge pressure, negative pressure, absolute pressure, vacuum degree, and atmospheric pressure within an environment that is NOT corrosive to 316 L stainless steel material.
- ** If code X is selected for Process Connection, the connector can ONLY be customized based on 1/2 NPT.
- ** When Code X is opted for Electrical Connection, there is no requirement for the incoming cable joints, but terminal wiring specifications cannot be altered.